

1U height, ruggedized
Keyboard Drawer with Trackball
for 19" rack cabinet application,
EIA-310C industrial standard.

Industrial grade steel housing

106-key Keyboard

Easy to operate Trackball

1U Rackmountable Keyboard drawer
with Handle and Security Lock.



Main Specifications

Construction

Standard Rackmount 1U 19" Heavy Duty Steel.

Color

Bi-Color or Black.

Keyboard and Mouse

106-key US keyboard (PS/2) and trackball (USB and PS/2). For AT keyboard a PS/2 to AT keyboard is required.

Drawer Design

Handpad for comfortable typing.

Security Lock

Front access lock for system security.

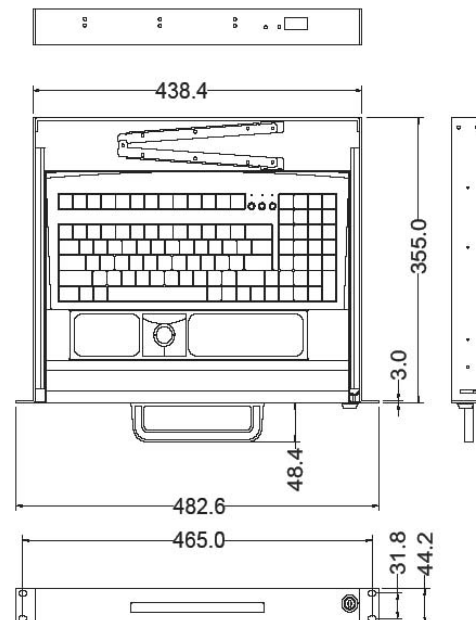
Dimensions

483(W) x 436.6(D) x 44(H) mm

Gross Weight

5 kgs

Technical Drawing



Ordering Information

KD-102B-BLK 1U Keyboard Drawer with Trackball, black color.
KD-102B-BGE 1U Keyboard Drawer with Trackball, beige color.